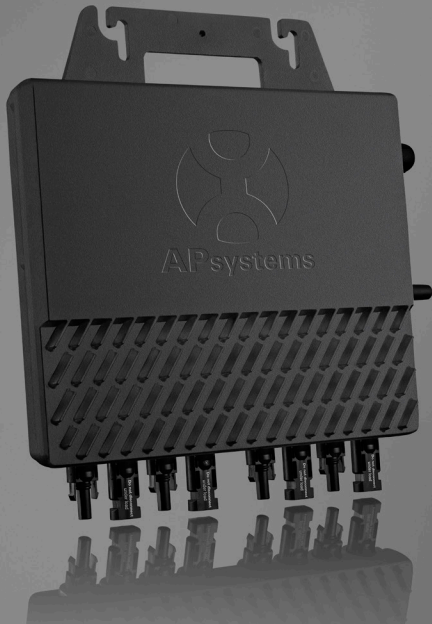


AP

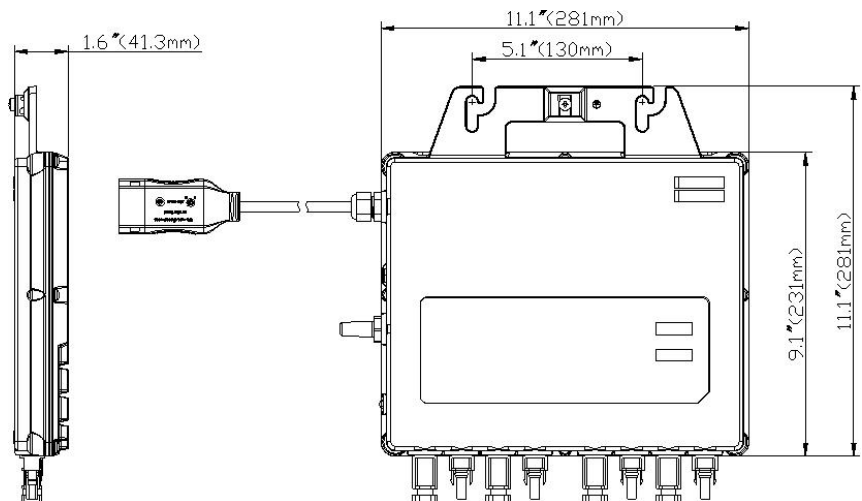
ALTERNATIVE ENERGY POWER



- Four-PV module microinverter with four independent MPPT
- Maximum continuous output power up to 1,200W
- Wide MPPT voltage range (22V-48V)
- Accommodates modules up to 375W
- Meets NEC 2017 690.12 Rapid Shutdown requirements
- Zigbee communication

APsystems breaks new ground once again with the QS1, a cutting edge microinverter design accommodating up to 4 high-capacity PV modules up to 365W+ with independent MPPT. A single-phase, smart grid-compliant microinverter, the QS1 features Zigbee wireless communication over a mesh network with faster data speeds than PLC, and a wider MPPT voltage range results in a greater energy harvest for homeowners.

A true utility-interactive microinverter with Reactive Power Control (RPC) technology, the QS1 is inherently NEC 2014/2017 Rapid Shutdown compliant. The unit also builds on the successful APsystems line of multi-module microinverters, simplifying installation and reducing logistics costs.



MPPT Voltage Range	22V-48V	
Operation Voltage Range	16V-55V	
Maximum Input Voltage	60V	
Startup Voltage	20V	
Maximum Input Current	12A x 4	
Maximum DC short circuit current	15A x 4	
	240V	208V
Maximum Continuous Output Power	1,200W	1,100W
Nominal Output Voltage/Range	240V/211V-264V	208V/183V-229V
Nominal Output Current	5.00A	5.29A
Nominal Output Frequency/Range	60Hz/59.3Hz-60.5Hz	
Power Factor	>0.99	
Total Harmonic Distortion	<3%	
Peak Efficiency	96.5%	
Nominal MPPT Efficiency	99.5%	
Night Power Consumption	30mW	
Operating Ambient Temperature Range	-40°F to +149°F(-40°C to +65°C)	
Storage Temperature Range	-40°F to +185°F(-40°C to +85°C)	
Dimensions (W x H x D)	11.1" x 9.1" x 1.6"(281mm x 231mm x 41.3mm)	
Weight	9.9lbs (4.5kg)	
AC Trunk Cable Maximum Current	20A	
Enclosure Rating	NEMA 6	
Cooling	Natural Convection - No Fans	
Communication	Wireless (Zigbee)	
Transformer Design	High Frequency Transformers, Galvanically Isolated	
Monitoring	Via EMA* Online Portal	
Warranty	10 years standard, extendable to 25 years	
Safety and EMC Compliance	FCC Part15;ANSIC63.4;ICES-003	
Certificate & Compliance	UL1741**, CSAC22.2No.1071-01	
Grid Connection Compliance	IEEE1547	
Rapid Shutdown	Meets NEC 2014/2017 690.12	



** Meets the standard requirements for Distributed Energy Resources (UL 1741) and identified with the CSA Listed Mark.

Specifications subject to change without notice – please ensure you are using the most recent update found at www.APSystems.com

1.8.19 © All Rights Reserved

AP
ALTENERGY POWER